

OKCEV 100
OKCEV 125
OKCEV 160

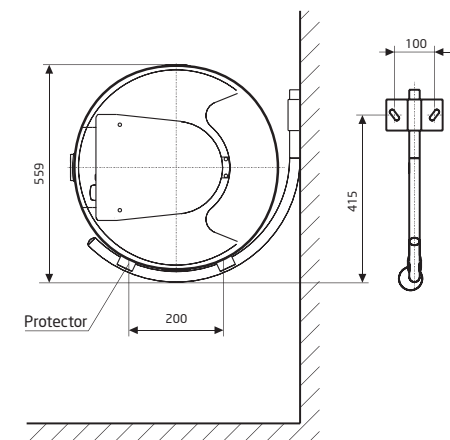
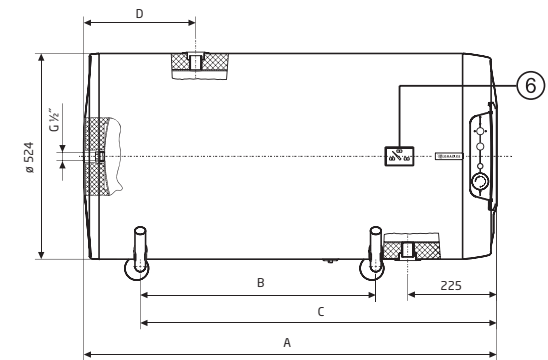
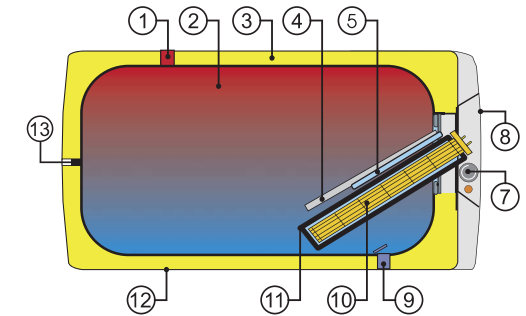


ELECTRIC STORAGE WATER HEATERS

Wall-mounted, horizontal

ELECTRIC storage water heater for horizontal mounting

- 1 Discharge pipe for hot water
- 2 Enameled steel vessel
- 3 Polyurethane CFC-free insulation - 42 mm
- 4 Mg anode
- 5 Operating and safety thermostat well
- 6 Thermometer
- 7 Operating thermostat with external control Safety thermostat
- 8 Cover for electrical equipment
- 9 Filling pipe for cold water
- 10 **DRY CERAMIC HEATING ELEMENT**
- 11 Heating element well
- 12 Water heater jacket
- 13 Circulation



Type	A	B	C	D
OKCEV 100	881	450	758	185
OKCEV 125	1046	600	908	184
OKCEV 160	1235	700	1008	230

All inlets and outlets have an internal G 3/4" thread.

Hanging brackets are not included in the delivery (ACCESSORIES).

Type	OKCEV 100	OKCEV 125	OKCEV 160
Volume [l]	100	125	152
Max. operating overpressure in the tank [MPa]	0.6	0.6	0.6
Voltage [V/Hz]	1 PE-N~230/50	1 PE-N~230/50	1 PE-N~230/50
Connected load [kW]	2	2	2
Electrical protection	IP 44	IP 44	IP 44
Maximum HUW temperature [°C]	80	80	80
Recommended HUW temperature [°C]	60	60	60
Length x Diameter [mm]	881x524	1046x524	1235x524
Maximum weight of heater without water [kg]	41	47	56
Heating period with ele. en. from 10 °C to 60 °C [h]	3	3,8	5
Heat loss [kWh/24h]/energy efficiency class	0.88/C	1.09/C	1.39/C

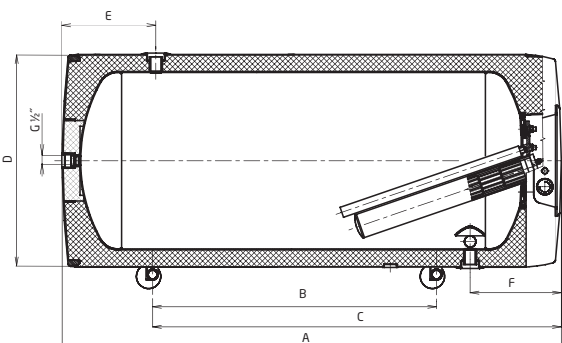
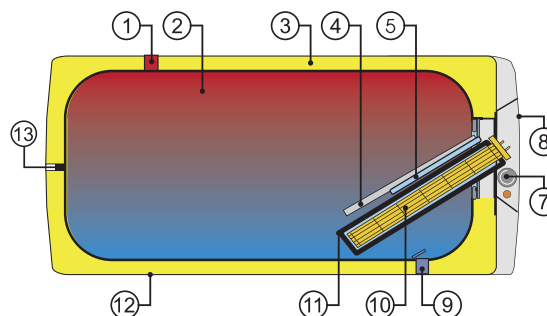
ELECTRIC STORAGE WATER HEATERS

OKCEV 180
OKCEV 200

Wall-mounted, horizontal

ELECTRIC storage water heater for horizontal mounting

- 1 Discharge pipe for hot water
- 2 Enameled steel vessel
- 3 Polyurethane CFC-free insulation - 42 mm
- 4 Mg anode
- 5 Operating and safety thermostat well
- 6 Thermometer
- 7 Operating thermostat with external control Safety thermostat
- 8 Cover for electrical equipment
- 9 Filling pipe for cold water
- 10 **DRY CERAMIC HEATING ELEMENT**
- 11 Heating element well
- 12 Water heater jacket
- 13 Circulation



Type	A	B	C	D	E	F	G	H
OKCEV 180	1187	600	907	584	254	252	240	616
OKCEV 200	1287	600	907	584	254	252	240	616

All inlets and outlets have an internal G 3/4" thread.

Hanging brackets are not included in the delivery (ACCESSORIES).

Type	OKCEV 180	OKCEV 200
Volume [l]	180	200
Max. operating overpressure in the tank [MPa]	0.6	0.6
Voltage [V/Hz]	1 PE-N~230/50	1 PE-N~230/50
Connected load [kW]	2.2	2.2
Electrical protection	IP 44	IP 44
Maximum HUW temperature [°C]	80	80
Recommended HUW temperature [°C]	60	60
Length x Diameter [mm]	1200x584	1300x584
Maximum weight of heater without water [kg]	69	73
Heating period with ele. en. from 10 °C to 60 °C [h]	5	5,5
Heat loss [kWh/24h]/energy efficiency class	1.39/C	1.4/B

The OKCEV 180, 200 heaters can be made to order with a heating element with 4000 W and 3 PE-N 400V/50Hz connection. Heating time is decreased to half the value stated in the table.

