

NADO 500 v2

NADO 750 v2

NADO 1000 v2

NADO v2 accumulation tanks may be provided with a flange with 210 mm screw spacing for a TPK heating unit installation. The flange is plugged in the basic design. The tank contains an inner enameled vessel with a capacity of 100 or 140 liters depending on the accumulation tank size and integrated heat exchanger with the surface 1.5 m² for other heating source connection (for example solar system).

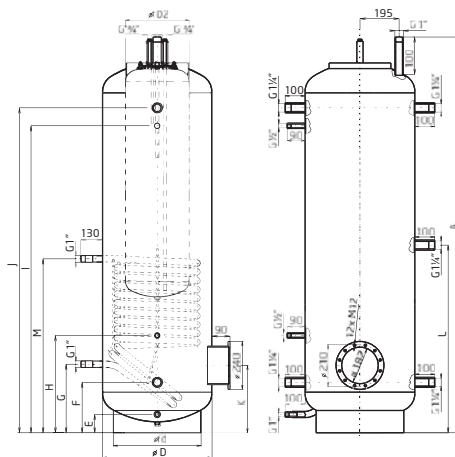
A G 1" socket can be added between the exchanger and the 140 liters vessel of the **NADO v2** for the connection of an additional TJ 6/4" electrical heating unit to provide extra heating (for example, with solar collectors, heat pumps, etc.). Accumulation tanks are supplied with a high-quality insulation Symbio made of polyester fleece.

Type	HUW reservoir capacity [l]	
	ø D2=320 mm	ø D2=500 mm
NADO 500	100	140
NADO 750	100	140
NADO 1000	100	140

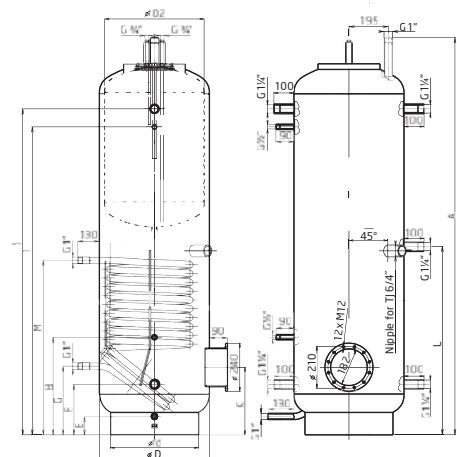
Type	Heat transfer surface [m ²]
NADO 500-100, 750-100, 1000-100	1.25
NADO 500-140, 750-140, 1000-140	1.43

Maximum pressure in the tank	0.3 MPa
Maximum heating water temperature in the tank	90 °C
Maximum pressure in the exchanger	1.0 MPa
Maximum heating water temperature in the exchanger	110 °C
Maximum pressure in the exchanger	0.6 MPa
Maximum heating water temperature in the exchanger	90 °C

Inner vessel 100 liters



Inner vessel 140 liters



Socket G 1½" for electrical heating unit upon solar heating, only for inner vessel 140 liters.

Volume [l]	Diameter D [mm]	Diameter d [mm]	A	E	F	G	H	I	J	K	L	M
500	600	440	1990	90	260	350	494	1545	1635	344	948	875
750	750	550	2020	90	272	362	506	1557	1647	356	960	887
1000	850	600	2053	90	287	377	521	1572	1662	371	975	902